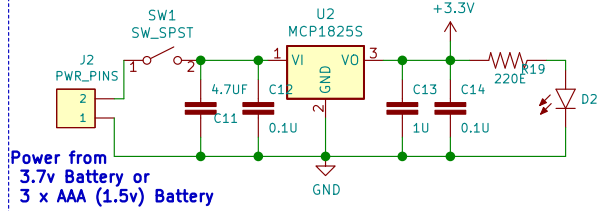
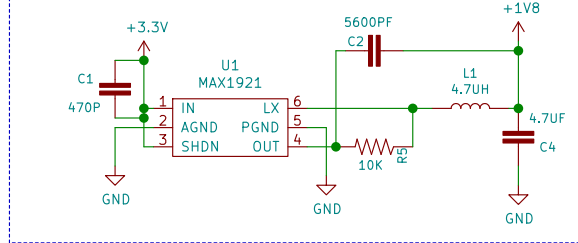


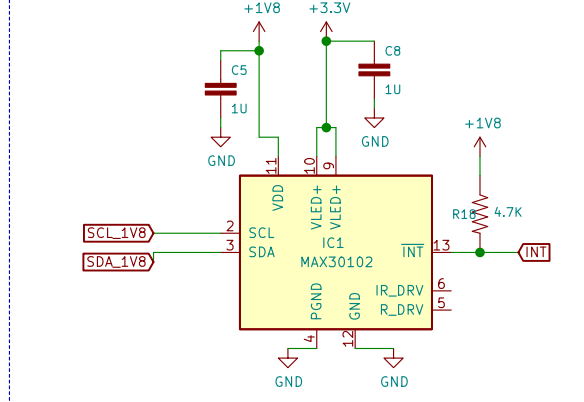
### Power I/P + 3V3 Regulator (MCP1825S)



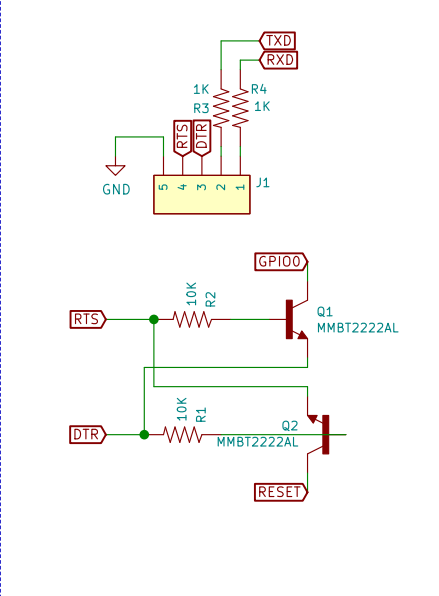
### 1V8 Regulator (MAX1921)



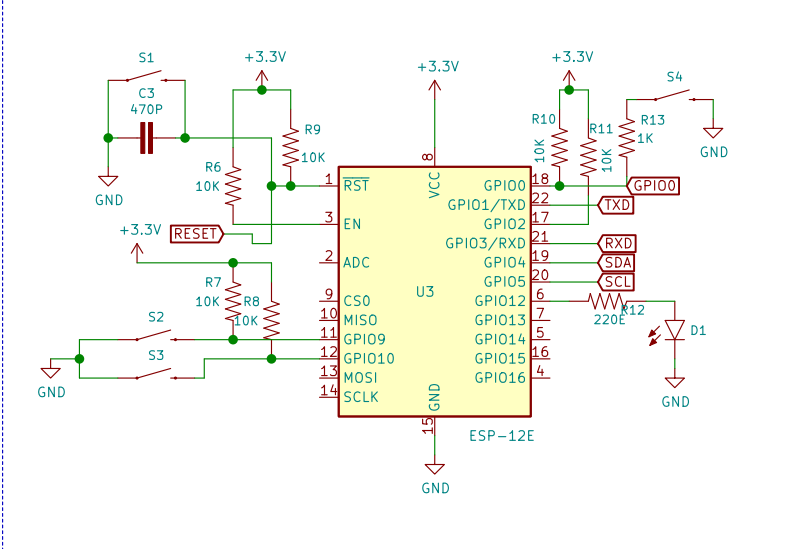
### MAX30102 Sensor Module



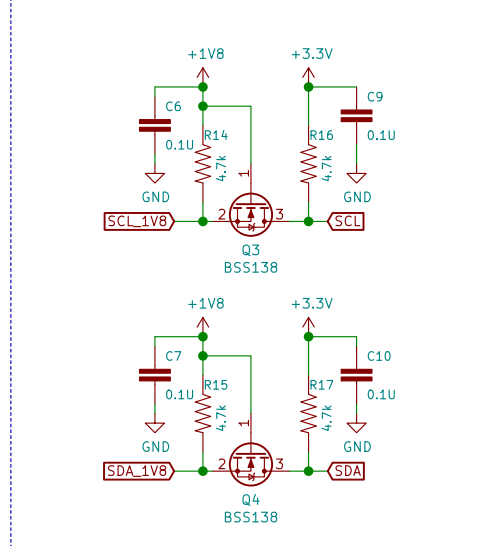
### ESP12E Programming I/F



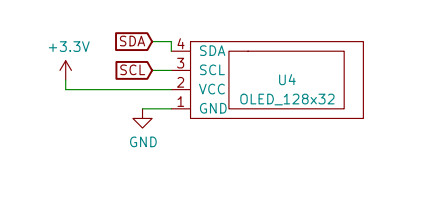
### ESP12E (Execution ready + Interfaced Peripherals)



### Voltage Level Translation



### OLED Display



HBCSE - TIFR, Mumbai  
 Designed By: Ashish Pardeshi

Sheet: /  
 File: IOT\_Pulse\_Oxymeter.sch

**Title: IOT\_Pulse\_Oxymeter**

Size: A4 Date:  
 KiCad E.D.A. kicad (5.1.5)-3

Rev: Version 1  
 Id: 1/1