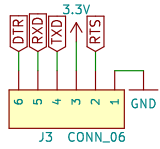
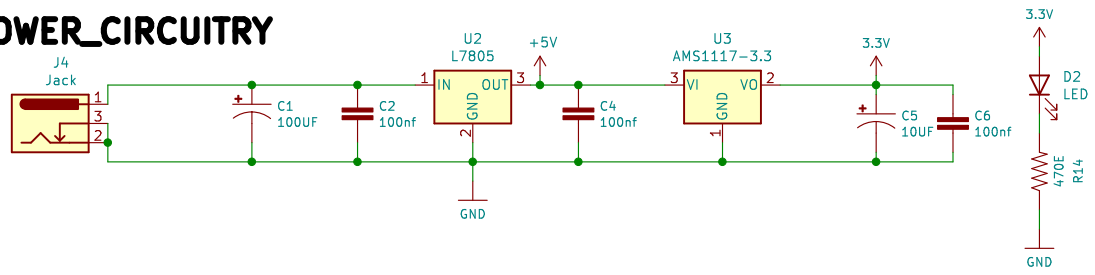


# INPUT

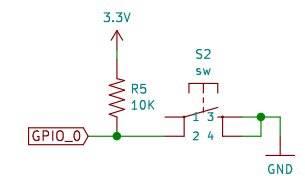
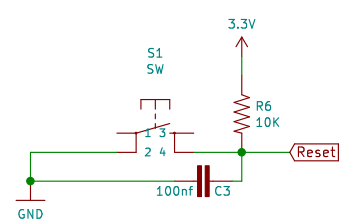
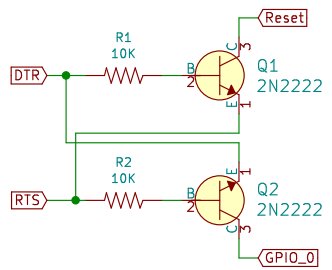
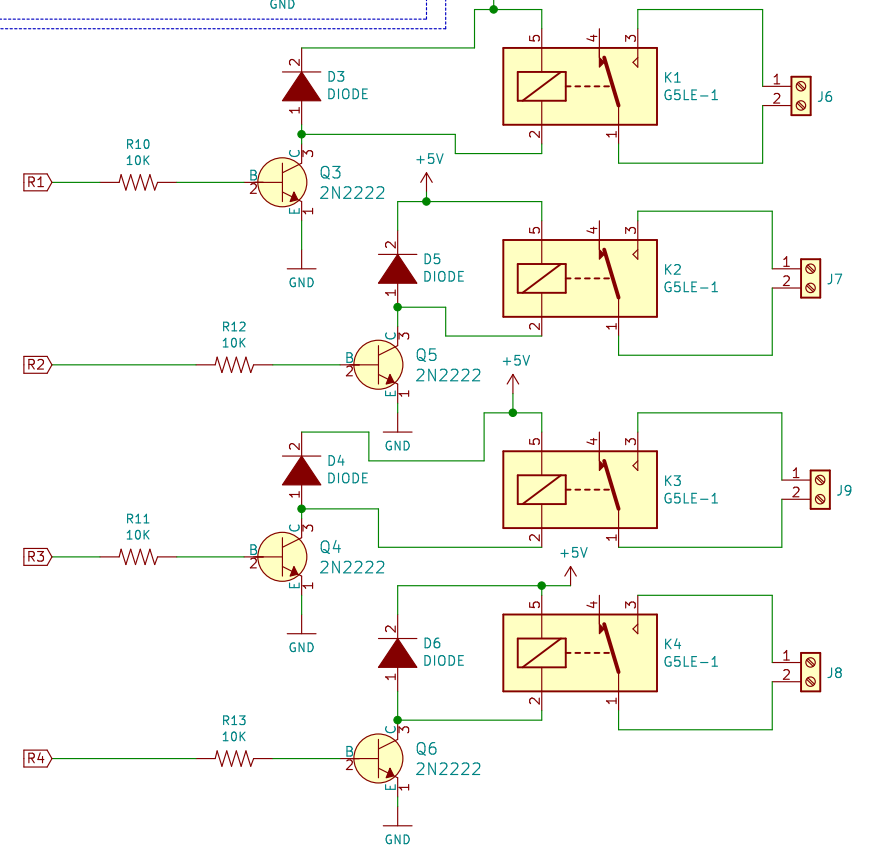
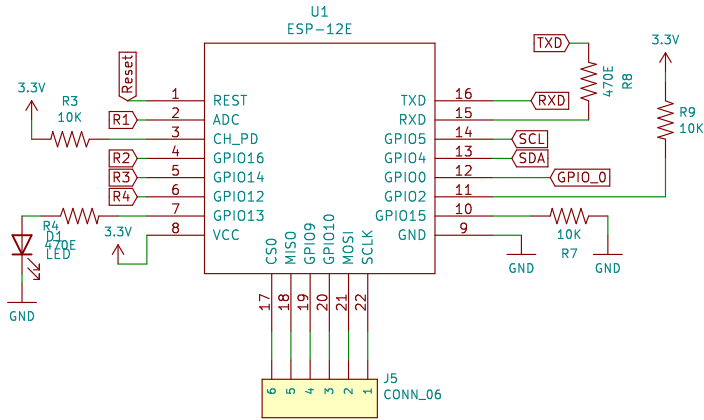


# POWER\_CIRCUITRY



# OUTPUT

# ESP-12E



Designed By : Farhan Ashraf  
**Ashraf**

Sheet: /  
 File: HOME AUTOMATION.sch

### Title: Home Automation

Size: A4 Date: 02-01-2021  
 KiCad E.D.A. kicad (5.1.6)-1

Rev:  
 Id: 1/1