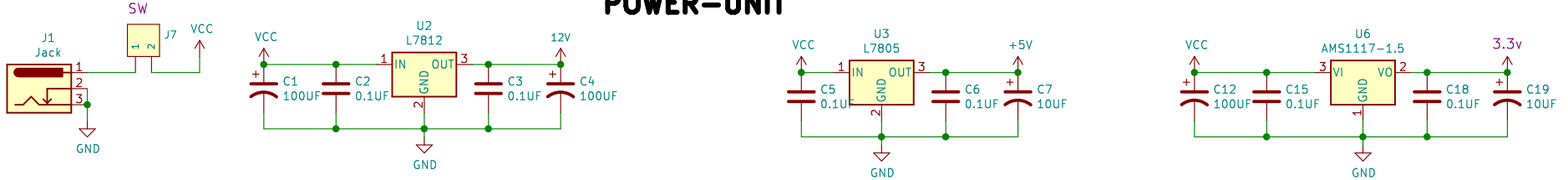
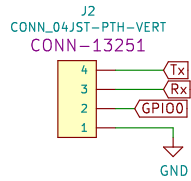


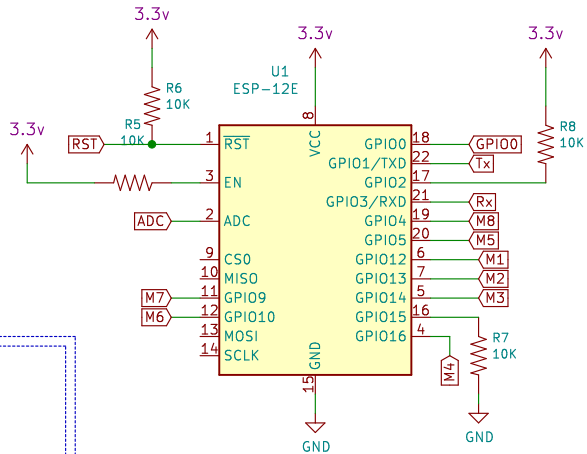
## POWER-UNIT



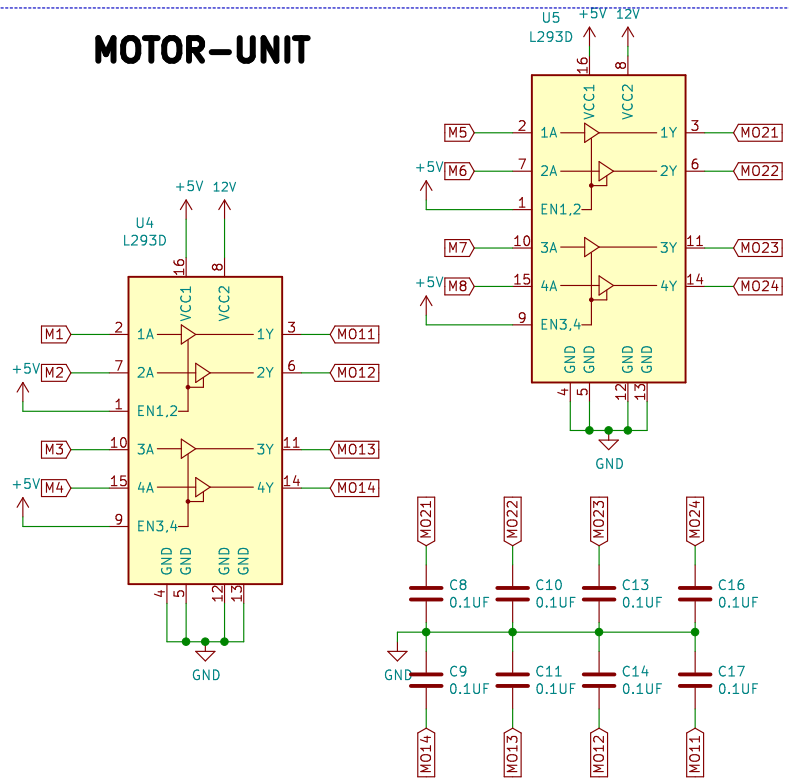
## INPUT



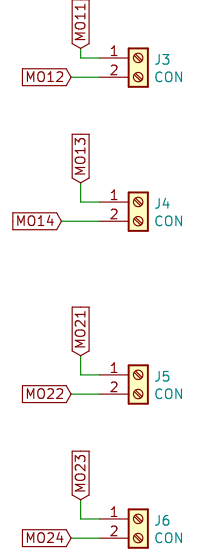
## ESP-12E



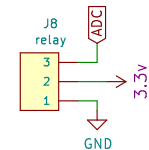
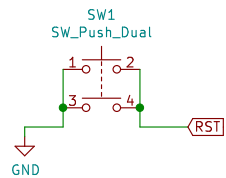
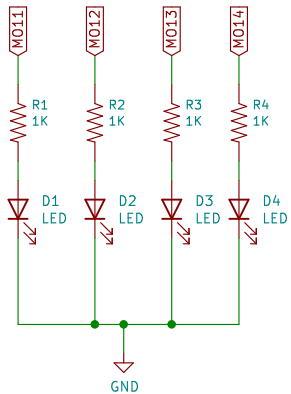
## MOTOR-UNIT



## OUTPUT



## LED-UNIT



Designer: FARHAN ASHRAF

ASHRAF

Sheet: /

File: moper.sch

**Title: WIRELESS MOPPER**

Size: A4

Date: 10-10-2021

KiCad E.D.A. kicad (5.1.6)-1

Rev:

Id: 1/1