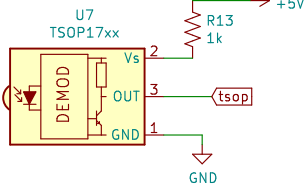
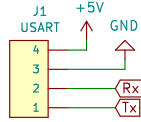
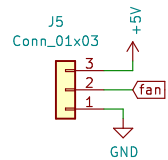
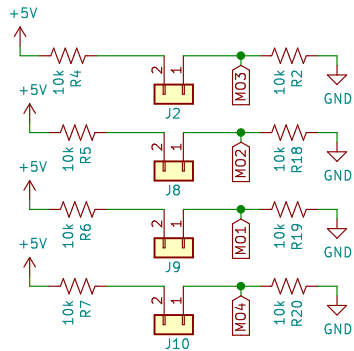


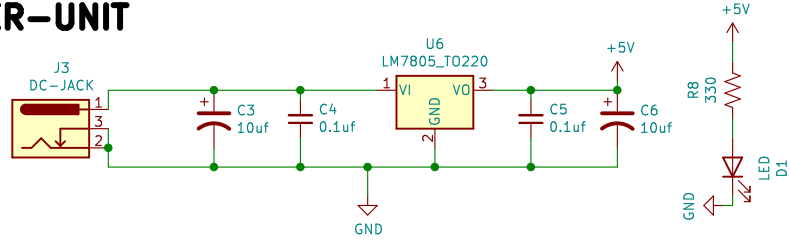
INPUT-UNIT



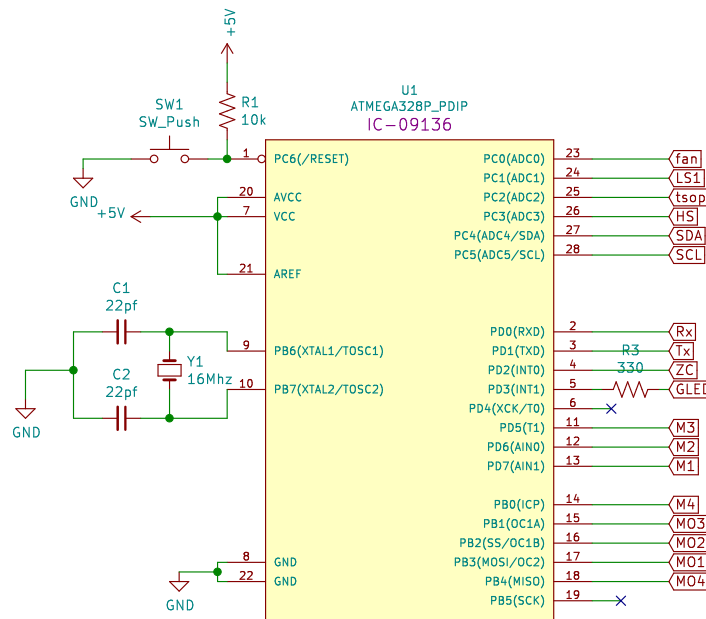
Sw-Unit



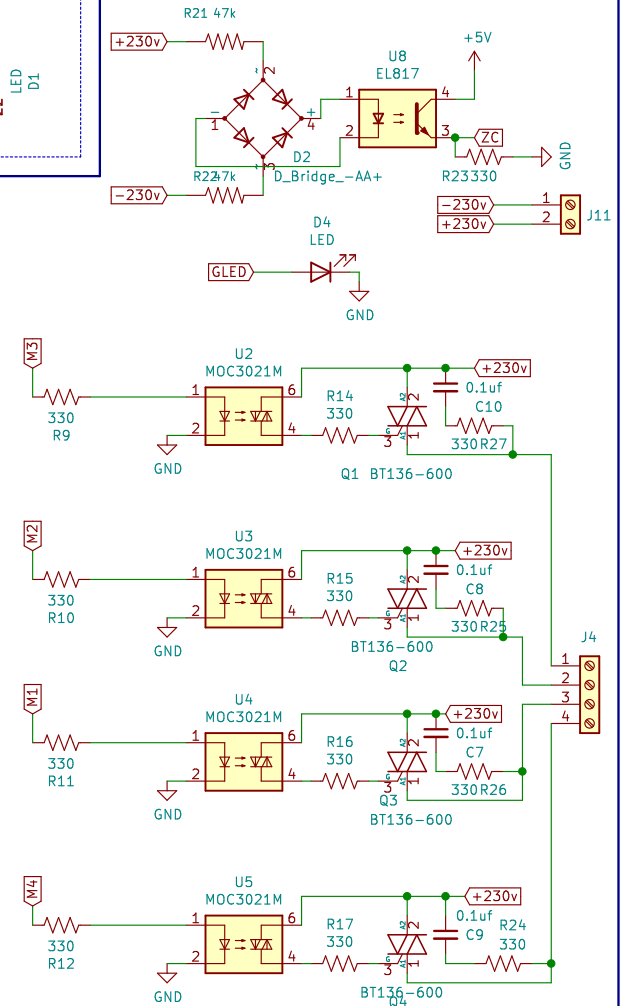
POWER-UNIT



MICROCONTROLLER



OUTPUT-UNIT



Designe By ; FARHAN ASHRAF

ASHRAF

Sheet: /

File: atmega328p.sch

Title: IR Remote Control Board

Size: A4 Date: 23-01-2021

KiCad E.D.A. kicad (5.1.6)-1

Rev:

Id: 1/1